

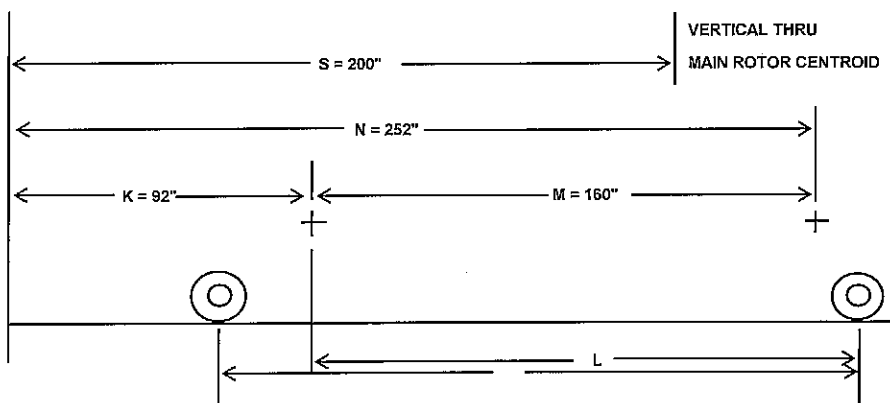
**AIRCRAFT ACTUAL WEIGHT AND HORIZONTAL BALANCE
FOR S-76 MODEL HELICOPTER**

Prepared By : Keystone Helicopters

Sheet 1 of 2

Date : 17 December 2007Reg. No. : N139CCSerial No. : 760324

REACTION WHEEL OR JACK POINT	SCALE NO.	SCALE READING (LB)	TARE	SCALE ERROR	SYMBOL	NET WEIGHT
LEFT MAIN		3030.0		0	WL	3030.0
RIGHT MAIN		2924.0		0	WR	2924.0
NOSE		2314.0		0	WN	2314.0
TOTAL WEIGHT					W	8268.0



$$\text{WEIGHING ON JACKS} \quad \frac{92" \times WN}{W} + \frac{(WL + WR) \times 252"}{W} = \text{C. G.}$$

$$\text{WEIGHING ON WHEELS} \quad 92" + L - \frac{(WN \times J)}{W} = \text{C. G.}$$

CORRECTED WEIGHT AND HORIZONTAL BALANCE

ITEMS ADDED & SUBTRACTED	WEIGHT (LB)	HORIZONTAL DIST (in) C.G. TO FWD DATUM	MOMENT (lb in.)
Aircraft as Weighed	8268.0	207.22	1713296.0
Plus - Unuseable Fuel	25.0		5450.0
Minus - Oil and W/W Fluid	40.3		9027.2
EMPTY TOTAL WEIGHT GROSS	8252.7	207.17	1709718.8
BALANCE	207.17 (Corrected)	Horizontal Dist. -s= 7.17 xxx Aft	Fwd. of Main Rotor Centroid

Witnessed By

DD CRS
EGRS26D 44

S76 83201.2

Aircraft without AUX fuel tank.

Figure 2-8. Chart B (Sheet 1 of 2)

Weigh Kit : Jackson Aircraft Weighing Service P/N M2000 Digital
S/N 3868 next calibration due 2-27-2008

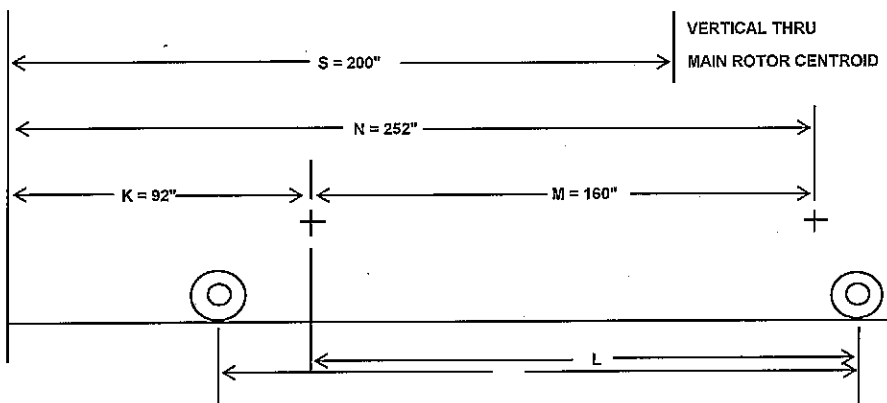
**AIRCRAFT ACTUAL WEIGHT AND HORIZONTAL BALANCE
FOR S-76 MODEL HELICOPTER**

Prepared By : Keystone Helicopters

Sheet 1 of 2

Date : 17 December 2007Reg. No. : N139CCSerial No. : 760324

REACTION WHEEL OR JACK POINT	SCALE NO.	SCALE READING (LB)	TARE	SCALE ERROR	SYMBOL	NET WEIGHT
LEFT MAIN		2906.0		0	WL	2906.0
RIGHT MAIN		3102.0		0	WR	3102.0
NOSE		2318.0		0	WN	2318.0
TOTAL WEIGHT					W	8326.0



$$\text{WEIGHING ON JACKS } \frac{92 \times \text{WN}}{W} + \frac{(\text{WL} + \text{WR}) \times 252}{W} = \text{C. G.}$$

$$\text{WEIGHING ON WHEELS } 92 + L - \frac{(\text{WN} \times \text{J})}{W} = \text{C. G.}$$

CORRECTED WEIGHT AND HORIZONTAL BALANCE

ITEMS ADDED & SUBTRACTED	WEIGHT (LB)	HORIZONTAL DIST (in) C.G. TO FWD DATUM	MOMENT (lb in.)
Aircraft as Weighed	8326.0	207.46	1727272.0
Plus - Unuseable Fuel	25.0		5450.0
Minus - Oil and W/W Fluid	40.3		9027.2
EMPTY TOTAL WEIGHT GROSS	8310.7	207.41	1723694.8
BALANCE	207.41 (Corrected)	Horizontal Dist. -s= 7.41 xxx Aft	Fwd. of Main Rotor Centroid

Witnessed By

DD CRS
EGPR526D 44

S76 83201.2

Aircraft with AUX fuel tank.

Figure 2-8. Chart B (Sheet 1 of 2)

Weigh Kit : Jackson Aircraft Weighing Service P/N M2000 Digital
S/N 3868 next calibration due 2-27-2008