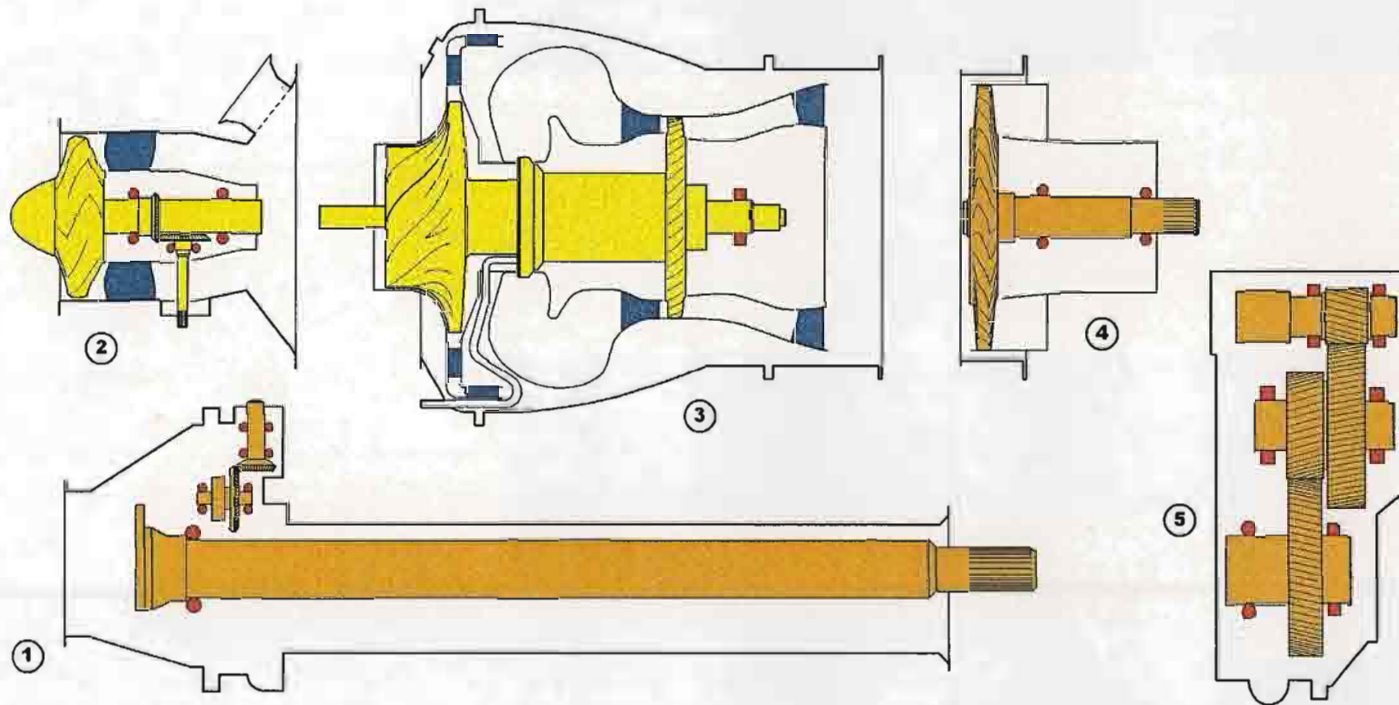


APPENDIX B
COVERED EQUIPMENT
Arriel 2C / 2C1 / 2C2



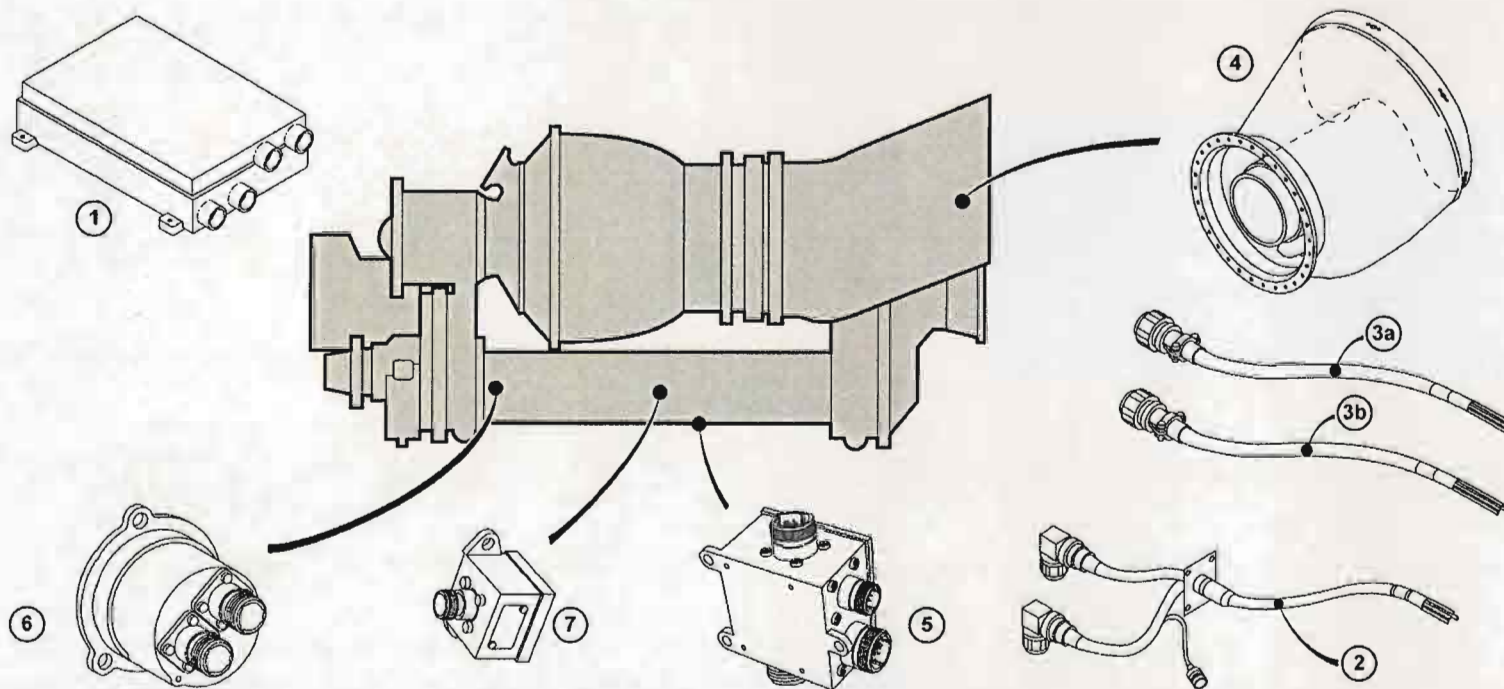
1 – Accessory Gearbox module (M01)
72-00-00-01-020

3 – Gas generator module (M03)
72-00-00-01-040

5 – Reduction gear module (M05)
72-00-00-01-060

2 – Compressor Module (M02)
72-00-00-01-030

4 – Power turbine module (M04)
72-00-00-01-050



1 – Engine Electronic Control Unit (EECU)
71-00-00-01-003

2 – Control & Monitoring harness
71-51-00-01-010

3a – Control Harness
71-51-00-01-020

3b – Magnetic plug harness
71-51-00-01-030

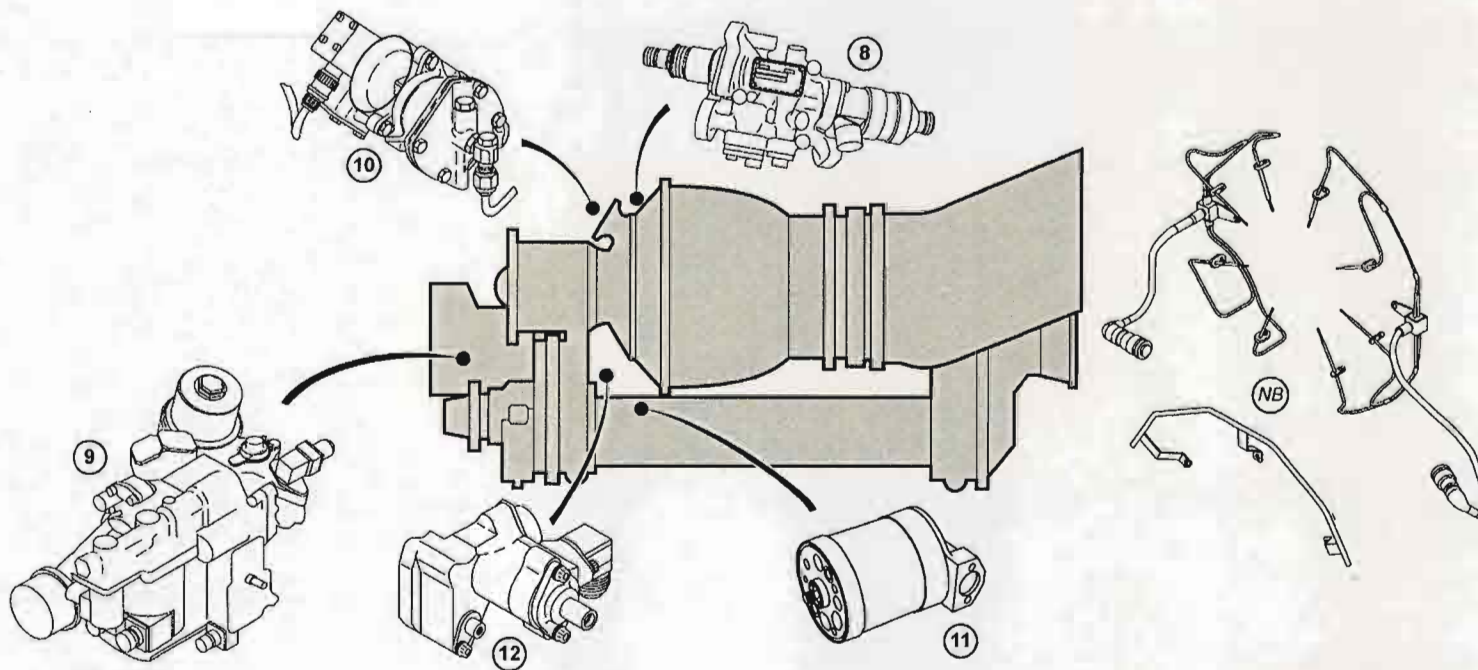
4 – Exhaust pipe
72-00-00-01-070

5 – T4.5 junction & conformation box
72-42-00-01-010

6 – Alternator
72-61-00-01-650

7 – Torque conformation box
72-61-00-01-830

Handwritten signature



8 – Adjusted valve assembly
73-14-00-01-010

9 – HP / LP pump & metering unit
73-23-00-01-010

10 – Air bleed valve
75-31-00-01-050

11 – Oil pump
79-24-00-01-010

12 – Equipped valve assembly
79-25-00-01-010

NB – Pyrometric harness
77-21-00-01-010 (covered)

TURBOMECA reserves the possibility of replacing a removed LRU by an “interchangeable” item, which might bear a different part number.

APPENDIX C

HOURLY FEE APPLICABLE

The hourly fee applicable, on 2008 economic condition, is set, at 141.60 € One hundred and forty one Euros and sixty cents, excluding VAT, per engine hour and for each Engine for a Cycle consumption of One Cycle(s) per engine hour.

EUR 2008		Included / Excluded	
Hourly rate 141.60 Euro	Repair (at depot level)	INCLUDED	
	Standard exchange of repairable accessories	INCLUDED	
	First overhaul	INCLUDED	
	All overhauls / Life limited Parts	INCLUDED	
	Availability of	standard exchange	INCLUDED
		or lending	EXCLUDED
	Availability of	modules	INCLUDED
		or complete engines	INCLUDED
	Transport	EXCLUDED	
	Supply of non repairable accessories + consumables	EXCLUDED	
	SOAP	EXCLUDED	
	Erosion/Corrosion	EXCLUDED	
FOD	EXCLUDED		